



Digital opening with the Rieber Connect app.



multipolar[®]

CONNECT

- The sharing refrigerator with a digital opening system.
- The user-assigned compartments are opened with the Rieber CONNECT app. The administrator manages the authorisations centrally.



Observe the operating instructions
Translation of the Original Operating Instructions

DOWNLOAD: USER MANUAL

QR code on type plate



EN

Rieber Professional. Our solutions provide quality, safety and, in particular, a high level of energy efficiency and cost effectiveness.

Without a classic key, but with a radio-controlled opening function via an app, for user-assigned compartments. Only a fraction of the chilled air escapes when the small individual compartments are opened, thus saving considerable electricity and energy.



Contents

1	Revision index	2
2	Refrigerator manufacturer's instructions	2
3	Important information	11
3.1	The components of the technical documentation	11
3.2	Using this guide	11
4	General Safety Instructions	12
4.1	General behaviour	12
4.2	Requirements for qualification of operating personnel	12
4.3	Appliance-specific safety instructions	12
4.4	Designated use	13
5	Extract from the technical data	14
6	Instructions for the user	15
7	Instructions for the administrator	17
7.1	Cleaning, maintenance and care	22
7.2	Operating faults /service	23
8	Warranty and liability	24
9	Excerpt from EC Declarations of Conformity	24
10	Manufacturer's address	25
11	Terms and conditions of use of the Rieber CONNECT APP system	25

1 Revision index

Revision	Change
2020-11-25	First issue

2 Refrigerator manufacturer's instructions

Content

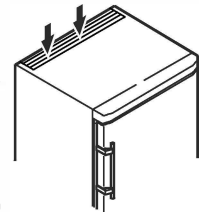
Priority of warnings.....	10
Safety instructions and warnings	10
Symbols on the appliance	11
Intended use.....	11
Foreseeable incorrect use.....	11
Declaration of conformity	11
Noise emissions from the appliance	11
Description of the appliance.....	12
Setting up	12
Levelling the appliance.....	12
Appliance dimensions.....	13
Electrical connection.....	13
Operating and control elements.....	13
Switching the appliance on and off	13
Setting the temperature.....	14
Door open alarm.....	14
Temperature alarm	14
Setup mode	14
Cooling	15
Humidity function	15
Safety lock.....	15
Cleaning	16
Shutting your appliance down.....	16
Malfunctions.....	16
Disposal notes.....	16
Changing over door hinges	17

Priority of warnings

⚠ DANGER	identifies a situation involving direct danger which, if not obviated, may result in death or severe bodily injury.
⚠ WARNING	identifies a dangerous situation which, if not obviated, may result in death or severe bodily injury.
⚠ CAUTION	identifies a dangerous situation which, if not obviated, may result in minor or medium bodily injury.
NOTICE	identifies a dangerous situation which, if not obviated, may result in damage to property.
Note	identifies useful information and tips.

Safety instructions and warnings

- **WARNING:** do not seal ventilation openings on the appliance housing or enclosure. →



- **WARNING:** only use the mechanical devices or other aids recommended by the manufacturer to help speed up the defrosting process.

- **WARNING:** do not damage the refrigerant circuit.

- **WARNING:** do not use any electrical devices in the refrigerator compartment which do not comply with the design recommended by the manufacturer.

- **WARNING:** the mains cable must not be damaged while installing the appliance.

- **WARNING:** multi-sockets or distributor strips and other electronic devices (such as halogen transformers) must not be positioned and operated at the rear of appliances.

- **WARNING:** this appliance must be secured as described in the operating instructions to rule out any potential risks due to its instability.

- This appliance can be used by children of 8 years old and over, and also by persons with restricted physical, sensory or mental capacity or lack of experience and knowledge, if they are supervised or have been instructed on safe use of the appliance and understand the resulting risks. Children must not be allowed to play with the appliance. Cleaning and user maintenance must not be carried out by children without supervision.

- Do not store any explosive substances, such as aerosol containers with flammable propellant gas, inside the appliance.

- To prevent injury and damage to property, the appliance should only be installed by two people.




- After unpacking it, check the appliance for signs of damage. Contact the supplier if it is damaged. Do not connect the appliance to the mains power supply.

- Avoid prolonged skin contact with cold surfaces (e.g. chilled/frozen products). If necessary, take safety action (e.g. gloves).

- All repairs and work on the appliance may only be carried out by customer service personnel or other trained personnel. The same applies to changing the mains power cable.

- Only carry out repair and other work on the appliance when the mains plug has visibly been disconnected.
- Only install, connect and dispose of the appliance as described in these operating instructions.
- In the event of a fault, pull out the plug or switch off the fuse.
- When disconnecting the appliance from the mains, pull on the plug. Do not pull on the cable.
- Ensure that food which has been stored for too long is not consumed. Dispose of food which has been stored for too long properly.
- Do not allow naked flames or ignition sources to enter the appliance.
- Alcoholic drinks or other vessels containing alcohol should be sealed tightly for storage.

Symbols on the appliance

	The symbol can be located on the compressor. It refers to the oil in the compressor and indicates the following danger: swallowing or inhaling can be fatal. This is only relevant for recycling. There is no danger in normal operation.
	Warning about inflammable substances.
	A sticker to this effect may be applied to the rear of the appliance. It refers to the foampadded panels in the door and/or the housing. This is only relevant for recycling. Do not remove the sticker.

Intended use

The appliance is suited only for cooling food.

This appliance may be used to display food and drink in retail sales outlets. It is suitable for commercial use, for example in restaurants, canteens, hospitals and in commercial businesses such as bakeries, butchers' shops, supermarkets, etc.

This professional refrigeration appliance is designed for storing chilled food. It is **not** designed for the presentation of food or for the removal of food by customers.

The appliance is designed for use in enclosed rooms. All other types of use are not permitted.

Foreseeable incorrect use

Do not use the appliance for the following applications:

- Storage and cooling of medicines, blood plasma, laboratory preparations or similar substances and products subject to the Medical Devices Directive 2007/47/EC.
- Use in potentially explosive atmospheres.
- Use outdoors or in areas where it is exposed to splash water or damp conditions.

Incorrect use of the appliance will result in damaging or spoiling the goods stored in it.

Declaration of conformity

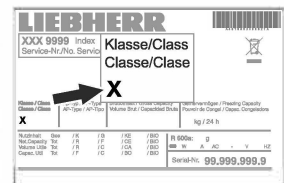
The refrigerant circuit has been tested for leaks. The appliance complies with the relevant safety regulations and EU Directives 2006/42/EG, 2014/30/EU, 2009/125/EG and 2011/65/EU.

Noise emissions from the appliance

The noise level while the appliance is operating is below 70 dB(A) (relative noise level 1 pW).

Climate rating

The climate rating indicates at what room temperature the appliance may be operated to achieve full cooling capacity and what the maximum humidity level in the area around the appliance may be to ensure that no condensation forms on the exterior housing.

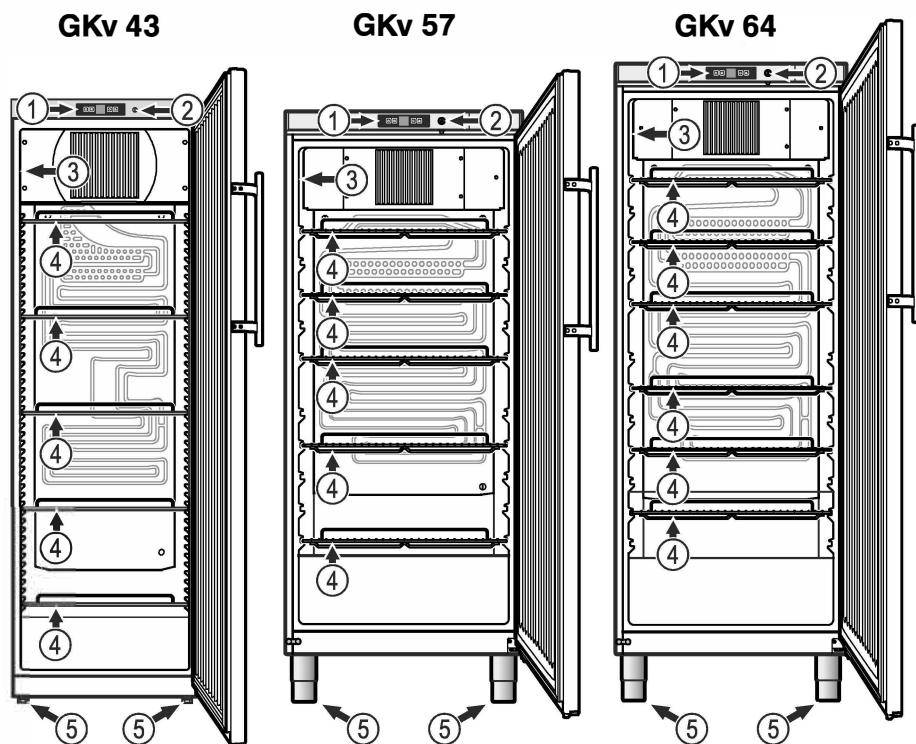


The climate rating is indicated on the type plate.

Climate rating	Max. room temperature	Max. relative humidity
3	25 °C	60%
4	30 °C	55%
5	40 °C	40%
7	35 °C	75%

The minimum room temperature at the place of installation is 10°C.

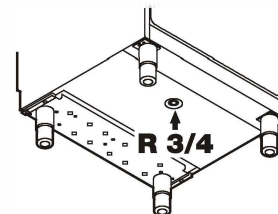
Description of the appliance



GKv 57 GKv 64

A drain hose with an R 3/4 connection can be fitted to the underside of the appliance.

The water which collects in the interior during cleaning can be drained off in this way.



NOTICE

- ① Operating and control elements
- ② Lock
- ③ Type plate
- ④ Grid shelves
- ⑤ Adjustable height feet

The maximum load per grid shelf is

Gkv 43	45 kg
GKv 57	60 kg
GKv 64	60 kg

Setting up

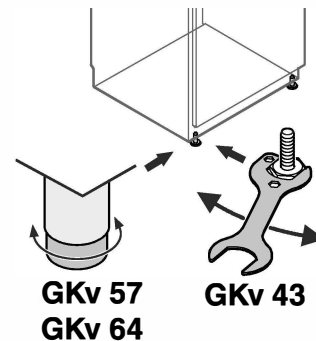
- Do not place the appliance in direct sunlight or near cookers, radiators and similar sources of heat.
- The floor on which the appliance stands should be horizontal and level. Compensate for uneven floors with the adjustable feet.
- The more coolant there is in the appliance, the larger the room in which the appliance is installed must be. If the room is too small, any leak may create a flammable mixture of gas and air. For each 8 g of coolant the installation space must be at least 1 m³. Information on the coolant is on the model plate inside the appliance.
- Always install the appliance directly against the wall.

Levelling the appliance

- Place the appliance in its final position at the place of installation.
- Compensate floor unevenness using the adjustable feet.

Note

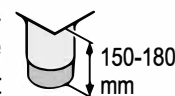
The appliance must be aligned horizontally and vertically. If the appliance is not level, the main body of the appliance can be deformed and the door will not close properly.



⚠ WARNING

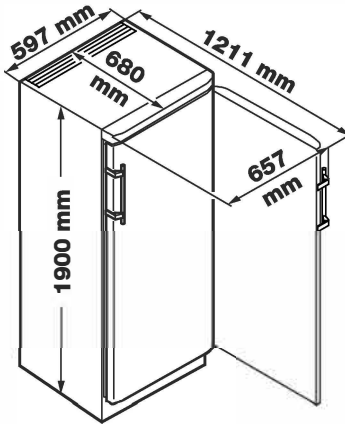
The height of the foot can be adjusted from 150 mm to 180 mm.

Do not set the adjustable foot to a height greater than 180 mm! The bottom section of the adjustable foot can become loose and the appliance may then tip over.

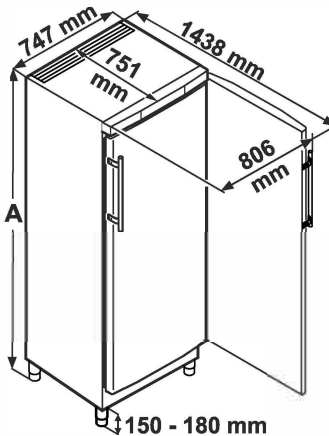


This can lead to serious or even fatal injuries.

Appliance dimensions



GKv 43



GKv 57

A = 1864 mm - 1894 mm

GKv 64

A = 2064 mm - 2094 mm

Electrical connection

Only operate the appliance with **alternating current (AC)**.

The permissible voltage and frequency are indicated on the type plate. The position of the type plate is shown in the section entitled **Description of the appliance**.

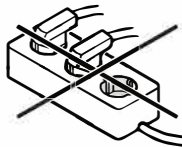
The socket must be properly earthed and protected by a fuse.

The tripping current of the fuse must be between 10 A and 16 A.

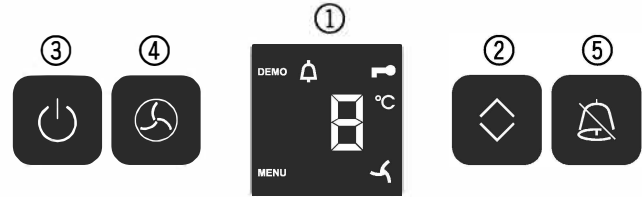
The socket must not be situated behind the appliance and must be easily accessible.

Do not connect the appliance using an extension cable or extension socket.

Do not use stand-alone inverters (conversion of direct current to alternating current/three-phase current) or energy-saving plugs. Risk of damage to the electronic control system!




Operating and control elements




- ① Temperature display (display)
- ② Temperature setting button (Up/Down)
- ③ On/Off button (On/Off)
- ④ Fan button (Ventilator)
- ⑤ Audible warning on/off button (Alarm)

Symbols in the display

MENU Setup mode is activated (activating the child lock and adjusting the display brightness)

 Alarm (symbol flashes if the temperature inside the appliance is too high or too low)

 Child lock is activated

 Fan ON symbol

DEMO Demo mode is activated

Switching the appliance on and off

Switching the appliance on

Press the **On/Off** button until the temperature display lights up.



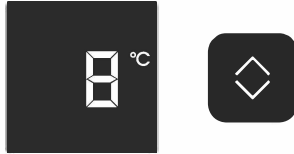
Switching the appliance off

Press the **On/Off** button for approx. three seconds so that the temperature display goes out. In addition, an audible warning signal will sound.

Setting the temperature

Press the **Up/Down** button. The temperature display flashes.

Press the **Up/Down** button, the next lower temperature value in the temperature display will light up.



Keep pressing the **Up/Down** button until the desired value is displayed. The electronic controls will switch over automatically about 5 seconds after the last time you pressed the button, and the actual temperature will be displayed.

Adjustable temperature ranges

GKv 4310, GKv 4360 GKv 5710, GKv 5760 GKv 6410, GKv 6460	+1°C to +15°C
GKv 5730, GKv 5790	-2°C to +15°C

Note

The highest adjustable interior temperature of +15°C cannot be achieved if the ambient temperature is +10°C.

The temperature in the warmest area of the interior may be higher than the temperature setting.

If the door is left open for a lengthy period, the temperature in the appliance's compartments may rise dramatically.

Door open alarm

If the door is left open for more than 180 seconds, the audible warning signal will sound.

If the door must be opened for a lengthy period to place items into the appliance, cancel the audible warning signal by pressing the **Alarm** button.



The alarm switches back to standby when the door is shut.

Temperature alarm

If the temperatures in the interior are out of the permitted range, the audible warning signal will sound and the temperature display will flash.

After a lengthy power failure, the temperature in the interior may have risen to too high a level. After the power supply returns, the fall in temperature can be watched on the display.

- Cancel the audible warning signal by pressing the **Alarm** button.



The temperature display will stop flashing as soon as the temperature in the interior has reached the set value.

Temperature alarm after a fault in the appliance

If the appliance develops a fault, the temperature in the interior may rise too high or fall too low. The audible warning signal will sound and the temperature display will flash.

If the temperature displayed is too high (warm), first check whether the door is closed correctly.

If the temperature display continues to show a value that is too high or too low after one hour, contact the customer service department.



- Cancel the audible warning signal by pressing the **Alarm** button.



Setup mode



In setup mode, you can set the child lock and adjust the brightness of the display.



The child lock is designed to protect the appliance from being switched off and the temperature setting from being changed accidentally.

Activating the child lock

Press  for 5 seconds. Display = 



 Display = 



 Display = 



 Display = 



The child lock is activated.

Deactivating the child lock

Press  for 5 seconds. Display = 



 Display = 



 Display = 



 Display = 


The child lock is deactivated.

Adjusting the display brightness

Press  for 5 seconds. Display = 



 Display = 

 Display = 

 Adjust to the desired brightness using the **Up/Down** button.

h0 = minimum brightness

h5 = maximum brightness

 Display = 

 The adjusted brightness will be activated after one minute.

Note

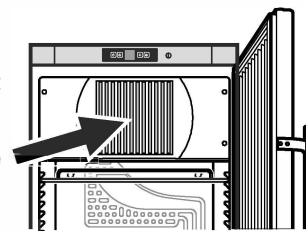
If a button is pressed, the display lights up for one minute at maximum brightness.

When commissioning the appliance, the adjusted brightness will only be active once the set interior temperature of the appliance has been reached.

Cooling

The grid shelves can be moved to accommodate different height bottles or packages.

The ventilation slots on the inside must not be covered!



NOTICE


Store raw meat or fish in clean sealed containers on the bottom shelf of the refrigerator/freezer compartment so that it cannot come into contact with any other food or drip liquid onto it.

A failure to follow these instructions may result in the food being spoilt.

Humidity function

Certain foods must be stored in a humid atmosphere (e.g. baked goods). To prevent such foods from drying out, the humidity function must be activated.

To switch on

Press the fan button - the symbol  lights up.



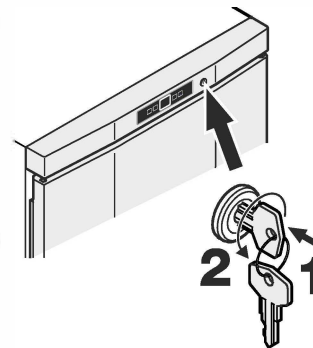
Safety lock

The lock is equipped with a safety mechanism.

Locking the appliance

- Insert the key as shown by arrow 1.
- Turn the key 180°.

To unlock the appliance, the same procedure must be repeated in the same order.



Defrosting

The refrigerator compartment defrosts automatically.

Cleaning

⚠ WARNING

Before cleaning, always disconnect the appliance from the mains. Pull out the plug or switch off the fuse.

⚠ CAUTION

Risk of damage to the appliance components and risk of injury due to hot steam.

Do not use steam cleaning equipment to clean the appliance.

NOTICE

Surfaces which may come into contact with food and accessible drain systems must be cleaned at regular intervals.

- Clean the inside, equipment parts and outer walls with lukewarm water and a little detergent. Do not use chemical solvents or any cleaning agents containing sand or acid.
- To avoid short-circuits, ensure no cleaning water penetrates into the electrical components when cleaning the appliance.
- Dry all parts well with a cloth.
- Use a commercially available stainless-steel cleaning agent for stainless-steel appliances.
- Do not damage or remove the type plate on the inside of the appliance. It is very important for servicing purposes.

Shutting your appliance down

If the appliance is left empty for a lengthy period, it must be switched off, defrosted, cleaned and dried and the door is to be left open to prevent mould formation.

Malfunctions

• CC, C8, F1 or F2 appears in the display.

– The appliance has suffered a fault. Contact the customer service department.

You may be able to rectify the following faults by checking the possible causes yourself:

• Appliance does not function:

- Is the appliance switched on?
- Is the plug correctly fitted in the mains socket?
- Is the fuse intact?

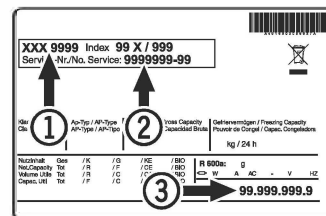
• When inserting the mains plug, the refrigeration unit does not switch on, but a value is shown in the temperature display.

- Demo mode is activated.
Contact the customer service department.

• The temperature is not low enough:

- Is the temperature setting correct (see "Setting the temperature")?
- Does the separately installed thermometer show the correct reading?
- Is the ventilation system working properly?
- Is the appliance set up too close to a heat source?

If none of the above causes apply and you cannot rectify the fault yourself, contact the nearest customer service department stating the type designation ①, service number ② and appliance number ③ as indicated on the type plate.



The position of the type plate is shown in the section entitled **Description of the appliance**.

Disposal notes

The appliance contains reusable materials and should be disposed of properly - not simply with unsorted household refuse. Appliances which are no longer needed must be disposed of in a professional and appropriate way, in accordance with the current local regulations and laws.



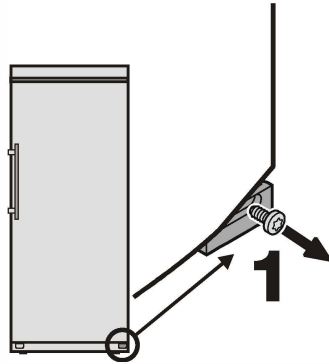
Do not damage the refrigerant circuit of an appliance that is no longer needed during its disposal.

This appliance contains inflammable gases in the refrigerant circuit and insulation foam.

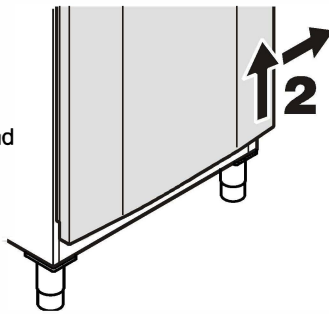
Your local council or a waste disposal contractor can provide information about how to dispose of the appliance correctly.

Changing over door hinges

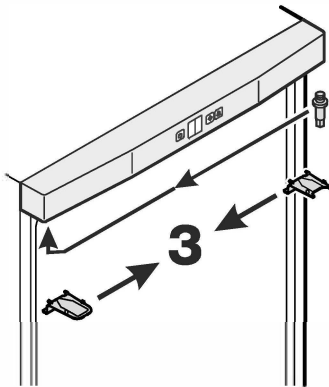
1. Remove screw from lower hinge bracket.



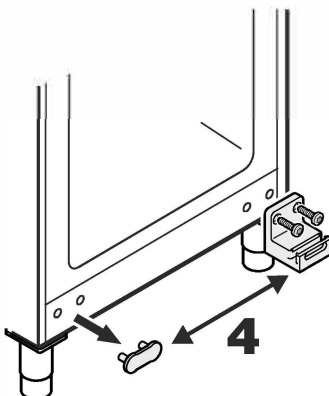
2. Lift door, tilt to the right and remove.



3. Transfer upper hinge components to the opposite side.

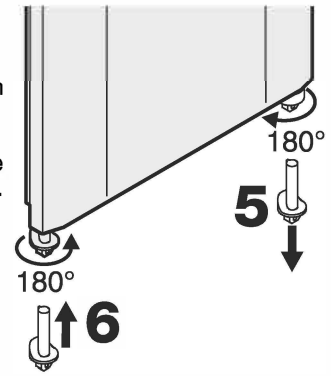


4. Transfer lower hinge bracket and cover plate to the opposite side.

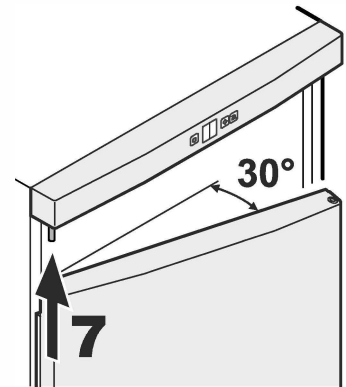


5. Turn lower hinge pin through 180° and remove.

6. Insert pin on the opposite side and turn through 180°.

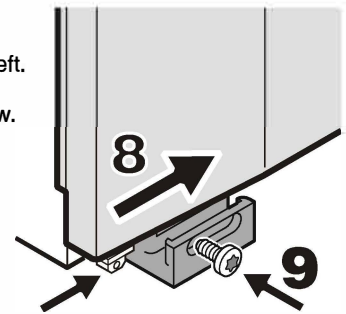


7. Locate door on upper pin.

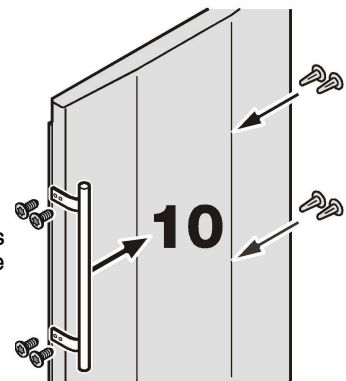


8. Tilt door inwards from the left.

9. Secure hinge pin with screw.



10. Transfer handle and plugs to the opposite side of the door.



3 Important information

3.1 The components of the technical documentation

- **multipolar®** CONNECT 570 CN 10F operating instructions
- Information on CHECK HACCP
www.rieber.de
 Select "→ Service" at the top of the display list.
- Spare parts and necessary instructions.
www.rieber.de
 Select "→Customer Service" at the top of the display list.
- The Rieber price guide provides further information about a wide variety of accessories.
www.rieber.de
 At the top of the display list, select: Search → price guide
 Or: Contact the manufacturer, Rieber, or your dealer
- Do you wish to have the operating instructions in another language?
www.rieber.de
 Select "→Customer Service" at the top of the display list.

3.2 Using this guide

This guide contains important information about how you can use the appliance safely and correctly.



- ▶ Read the operating instructions before first using the product.
- ▶ Keep this guide in a safe place and pass it onto the next owner should you wish to part with the product.

If there are any shortcomings in your opinion, please do not hesitate to let us know. We endeavour to become even better with your help.

Please add your notes here 😊



4 General Safety Instructions

4.1 General behaviour

This appliance meets the current state of the art and complies with all acknowledged technical safety-related regulations. Nevertheless hazards may still arise.

- Only use this appliance when it is in fault-free condition and according to the instructions in this user guide.
- During all phases of the product's life please ensure that the product is safely integrated into its environment.
- Refrain from rearranging or changing the device.

4.2 Requirements for qualification of operating personnel

Safe operation requires certain technical skills and personal qualification of each person.

- The responsibility for organization lies with the **'Designated Representative'** (operator). According to EN 50110-1 a work supervisor is a person who is appointed to take direct responsibility for the performance of work. If necessary, this responsibility can be assigned partly to other persons. [...] The designated representative must instruct all persons involved in the work on all hazards which may not be obvious for them'.
- Only **'Qualified Staff'** are allowed to carry out repair work. IEC 60204-1 defines qualified personnel as "persons who, on account of their training and relevant experience are in the position to recognise risks and avoid potentially dangerous situations."
- Electrical work may only be carried out by trained and experienced **electricians**.
- Work on the cooling unit should only be carried out by authorised skilled personnel like a **refrigeration specialist**.
- Any repairs and/or overhaul during the warranty period may only be carried out by the manufacturer's service department.



Chapter 'Warranty and liability', page 24

4.3 Appliance-specific safety instructions

This chapter describes general, appliance-specific safety instructions. In the following section, additional safety information relating to a particular operation or situation is placed before the appropriate operation step or description of the situation.

4.3.1 Risks due to electricity

- On the front of the IP55 appliance. On the back of the IP00 control according to DIN EN 60529, no protection against foreign objects, no protection against water. Protection against penetrating moisture is required.
- The socket outlet should be easily accessible so that the unit can be disconnected from the power supply at any time.
- Connect the appliance on site to a socket with a series-connected residual current operated device (RCD) with a tripping current of 30 mA.

4.3.2 Risk of a fire from lint

Risk of fire from ventilation grille contaminated with fluff.

- Keep the ventilation grille on the refrigeration unit clean.

4.4 Designated use

This chapter provides information on the intended use of the product and warns against foreseeable misuse or abuse, for your safety. Use the appliance for its intended use.

Intended use in principle means:

- Sharing refrigerator with digital opening system.
- Intended for chilling food and beverages.
- A functioning WLAN connection is required.
- The intended use includes compliance with the technical data.

Prevent any predictable misuse and abuse:

- Do not use the appliance in aggressive ambient conditions, for example extremely salt-laden air such as close to the sea or at a swimming pool with a chlorinated atmosphere, as this could damage the stainless steel.
- The place of installation of your appliance must comply with standard EN 378. See chapter 2 "Refrigerator manufacturer's instructions".



Chapter 'Extract from the technical data', page 14

Incorrect cleaning can substantially and irreparably damage the stainless steel surfaces.



NOTE

Incorrect cleaning can cause damage to the surface.

- A **mild washing up detergent diluted in hot water** is ideal. Wipe the surfaces with a **damp, non-scratch cloth**. After cleaning, **rub** the surfaces dry with a **soft cloth**.



User tip

- We recommend **Rieber cleaning agent for stainless steel** for cleaning stainless steel.

I It is an especially thorough yet gentle cleaner, produces a dazzling shine, and cleans and protects in one.

Order no.: 72 10 24 08

5 Extract from the technical data

Rieber has taken a proven, high-quality refrigerator and turned it into a sharing refrigerator with a digital opening system.

Rated voltage / mains frequency	1N AC 230 V 50/60 Hz
Connected load	75 W
Electrical connection	Approx. 2 m cable length
Electrical fuse	10 A: To enhance safety, connect the appliance on site to a socket with a series-connected residual current operated device (RCD) with a tripping current of 30 mA.
Protection class	IPX0 according to DIN EN 60529 (the back is open) → No protection against foreign objects, no protection against water → Only use unit inside buildings. Protection against penetrating moisture is required. IPX5 according to DIN EN 60529 at the front
Permissible ambient temperature at the place of installation	from + 10 °C to + 32 °C
Refrigeration range	+2°C to +15°C
Dimensions [L x W x H]	747 x 750 x 1864 mm
Compartment size [L x W x H]	270 x 490 x 215 mm 10 compartments
Housing material	Stainless steel

Control panel with integrated digital temperature display, including warning function.

Stepless temperature regulation provided by an integrated room thermostat.

Automatic defrosting and condensation water evaporation.

Circulating air cooling. Inner frame made of stainless steel and compartments with removable GN containers for perfect hygiene and easy cleaning. 8x GN 1/1 containers and 2x GN 2/3 containers from Rieber.

Rieber CONNECT Cockpit

<https://connect.riber.de>

2x keys for manually opening the inner door with the refrigerator compartments in the event of a fault.

The manufacturer's abbreviation, see chapter 2, for the refrigerator is: GKv 64

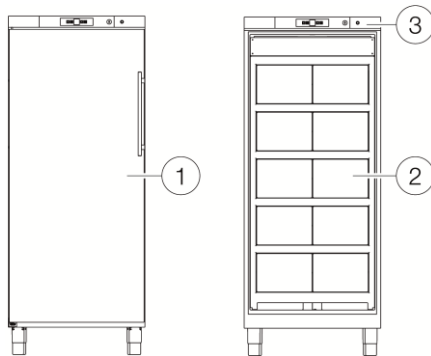
Accessories



User tip

- ▶ Use Rieber kitchenware for storage.
Order no.: 72 10 40 81 store+more set

6 Instructions for the user



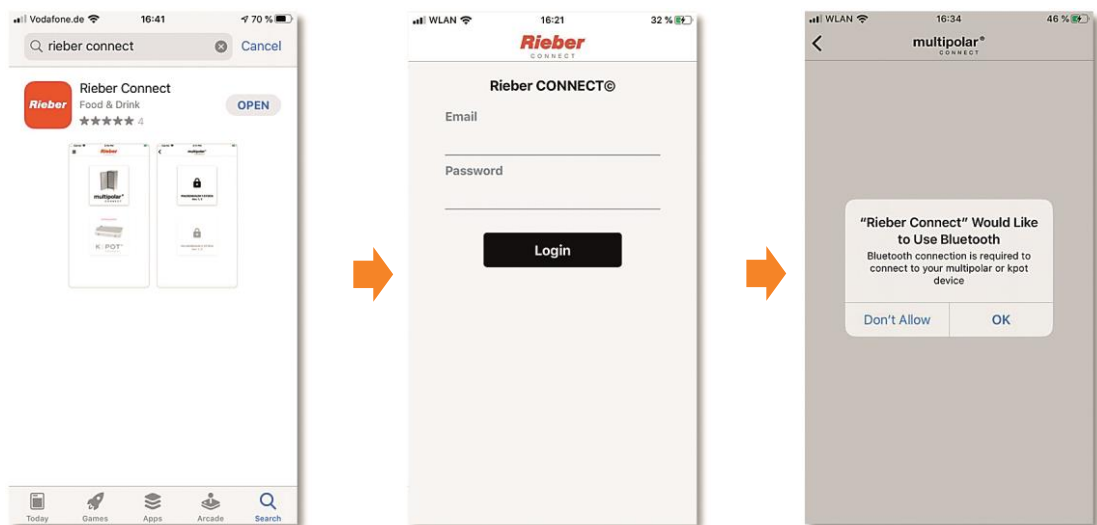
- 1 Outer door
- 2 Inner door
- 3 LED signal light

The Rieber CONNECT app offers various digital services & additional features for the new Rieber products in the CONNECT range.

For the **multipolar**[®] CONNECT, the app serves as a digital key for the sharing refrigerator.

With the Rieber CONNECT app, the personal refrigerator compartment can be opened or a compartment can be shared and used jointly by several people.

Installing the CONNECT app



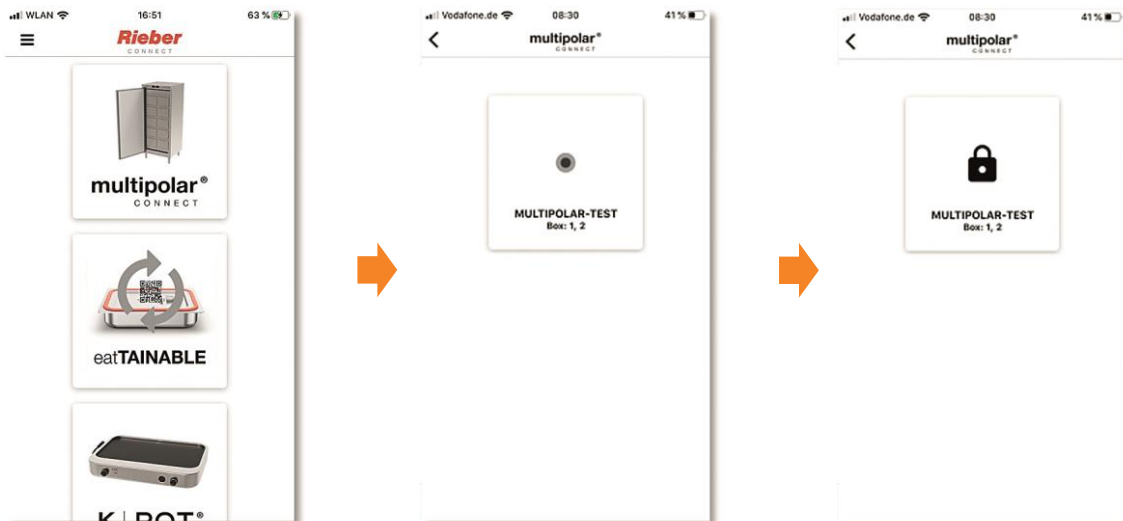
- Please contact the administrator.
 - You will receive an email in advance asking you to download the app and assign a password.
- Follow the link and assign a personal password.
- Download the app.
- Install the app.
- Set up your smartphone:
 - Switch bluetooth **ON**

Use

- Press the **multipolar® CONNECT** button to **open the compartment**.
 - The LED signal light is illuminated and a beep sounds on the **multipolar® CONNECT** with the personal compartment in it.
 - The personal compartment opens automatically after opening the outer door.
- Always close your personal compartment and the outer door, to ensure correct operation and chilling.

NOTE

- If another user presses the **multipolar® CONNECT** button during opening by the first user, the second user's compartment is only opened once the compartment and outer door have been closed and the outer door is opened again.



Food should be stored in the range of +2 °C to +7 °C for hygiene reasons.

- Note the actual temperature display on top of the unit. Note the fault display on top of the unit.

Cleaning

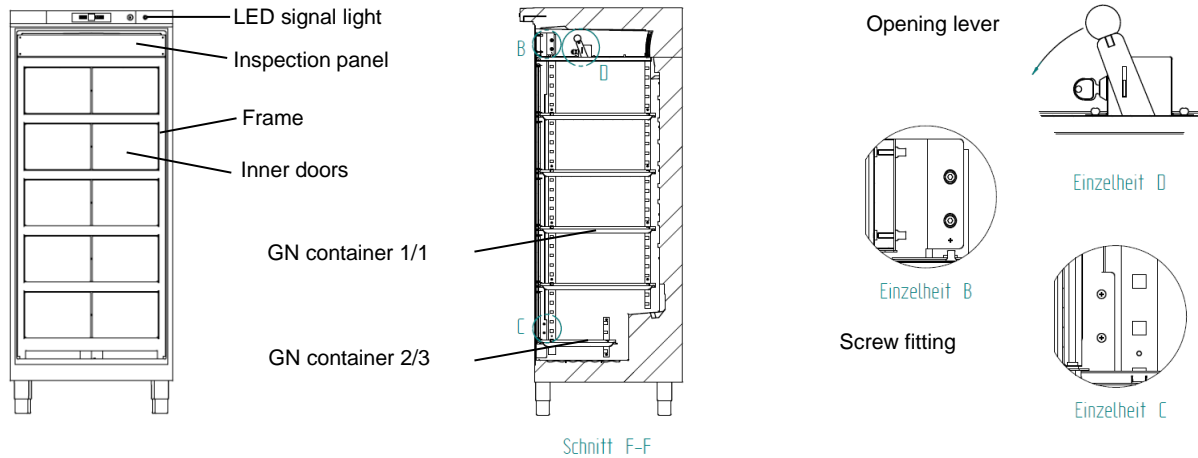
NOTE

Incorrect cleaning can cause damage to the surface.

- A **mild washing up detergent diluted in hot water** is ideal. Wipe the surfaces with a **damp, non-scratch cloth**. After cleaning, **rub** the surfaces dry with a **soft cloth**.
- In order to carry out thorough cleaning of the refrigerator interior, the frame with the doors can be disassembled and the compartment shelves /Gastronorm containers removed. Please contact the administrator.

7 Instructions for the administrator

This chapter is intended for the administrator. Read all other chapters of this user guide carefully beforehand.



The Rieber CONNECT app offers various digital services & additional features for the new Rieber products in the CONNECT range.

For the **multipolar**® CONNECT, the app serves as a digital key for the sharing refrigerator.

With the Rieber CONNECT app, the personal refrigerator compartment can be opened or a compartment can be shared and used jointly by several people.

Requirements on the operator

- Read all other chapters of this user guide carefully beforehand.



Chapter 'General Safety Instructions', page 12 ff.

Transport and installation

The place of installation of your appliance must comply with standard EN 378. See chapter 2 "Refrigerator manufacturer's instructions".

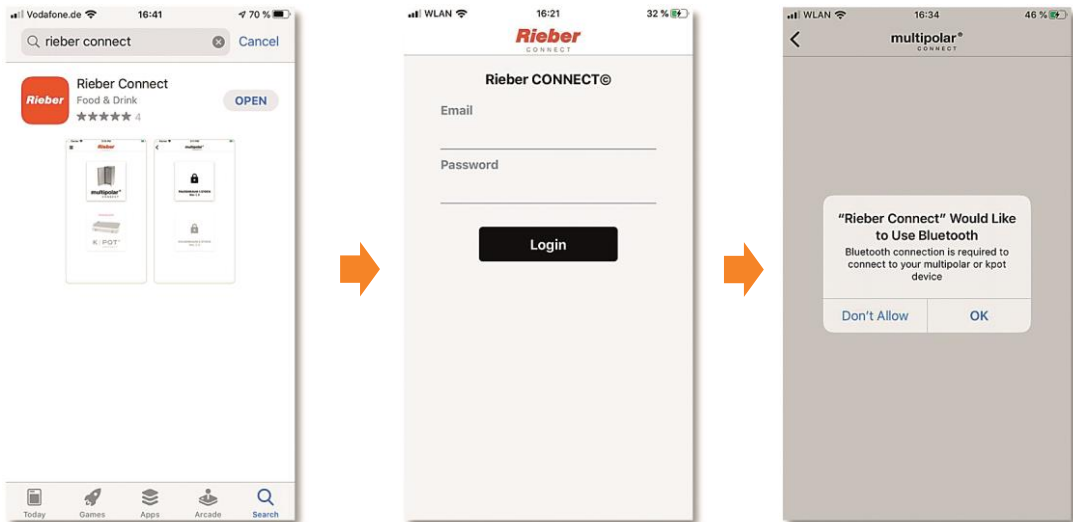


Chapter 'Extract from the technical data', page 14

Installing the CONNECT app

You will receive an email in advance asking you to download the app and assign a password.

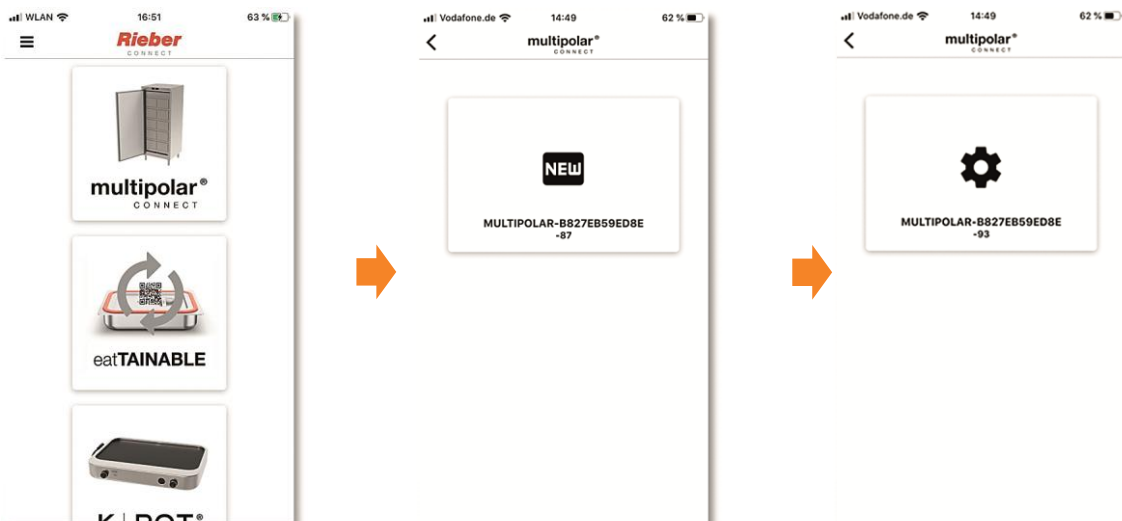
- Download the app and install it.
- Make sure that bluetooth use is enabled on your smartphone.
- Log in.



Registering the appliance

Make sure that the **multipolar**[®] CONNECT is switched on / plugged in for **registering** the appliance.

- All **multipolar**[®] CONNECT appliances accessible via the radio connection of the smartphone / tablet (make sure that bluetooth is activated on the smartphone / tablet) appear in the app.
- The new **multipolar**[®] CONNECT to be registered appears with the marking "NEW".
- Tap the "NEW" symbol.
 - The "Settings" symbol appears.
 - The appliance is registered.

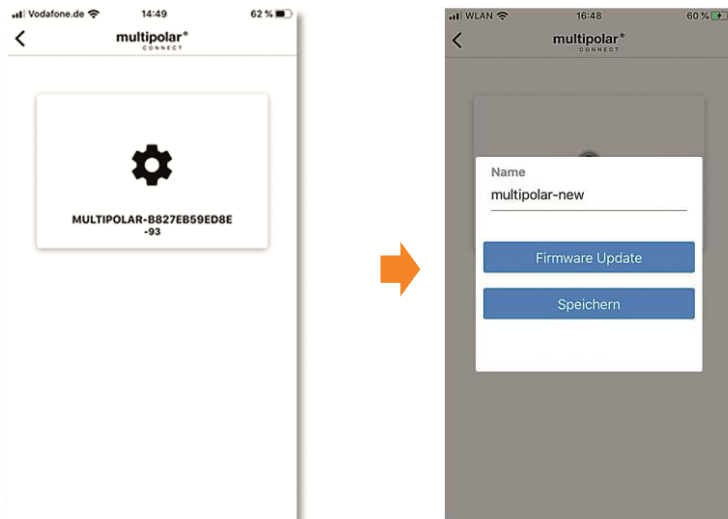


Renaming the appliance

This chapter describes the assignment procedure for identifying each individual appliance, for example location /storey /building.

- Tap the "Settings" **symbol**.

The name of the multipolar can now be edited in the popup. The name can be supplemented by e.g. location / storey / building.



Activating automatic updates

We recommend activating automatic updates to ensure that you always operate your appliance with the current software.

You need a sufficiently strong W-LAN connection to do this.

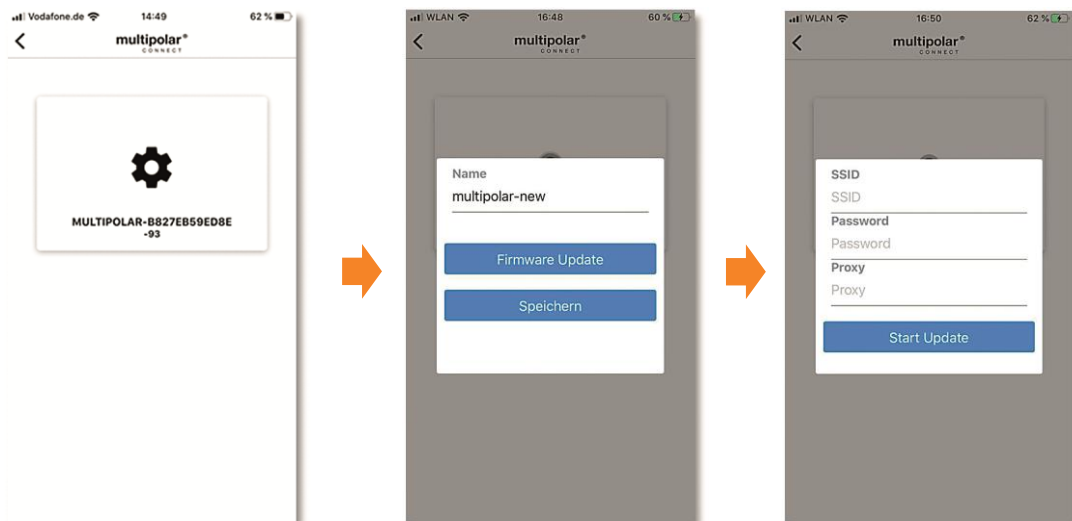
- Tap the "Settings" **symbol**.
The "Firmware Update" button appears in the popup.

Note:

If the firmware is displayed with the version number, the **multipolar**[®] CONNECT has the current firmware.

If "Firmware Update" is displayed, a new more up-to-date firmware is available to download.

- If no W-LAN connection is accessible or available, please establish a direct connection with the smartphone W-LAN.
- Tap the "Firmware Update" button.
- Enter the access details.
- Tap the "Start update" button.



Management and functions of the multipolar[®]CONNECT on the website

This chapter describes the management and functions of the **multipolar**[®] CONNECT. The 10 compartments of the digital sharing refrigerator can be assigned and managed with the Rieber CONNECT Cockpit.

- Select the website.

<https://connect.rieber.de>

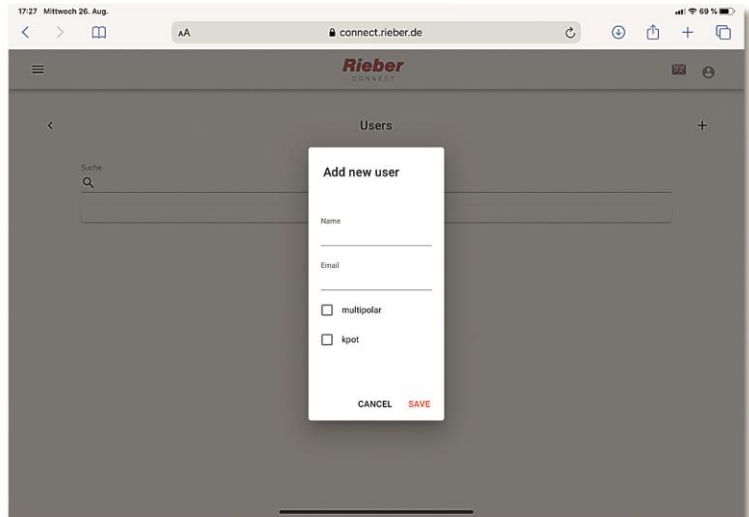
Creating a new user

Under "User" you can access the "Create new user" menu with "+".

- Enter and save the user's name and email address.
 - The user now receives an email with the request to download the app and assign a password.

✉ = New password:
The user receives another email with the request to assign a password.

3 = Number of **multipolar®** CONNECT appliances for which the user has authorisation.



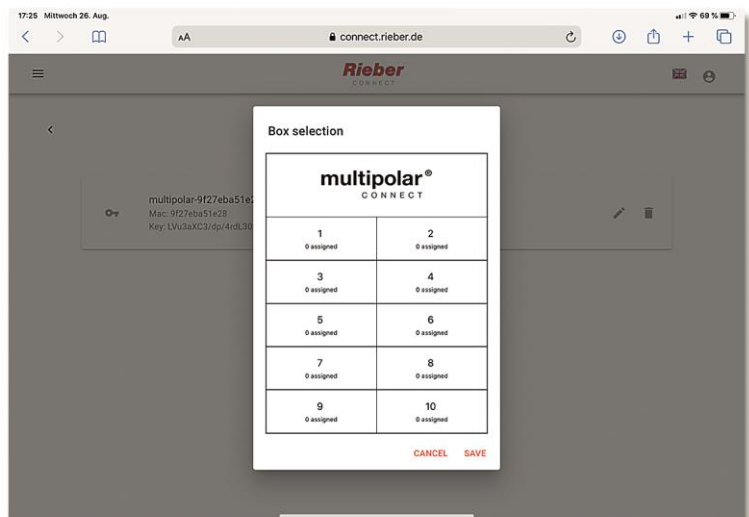
Compartment assignment

Assign compartments to users.

- Under "multipolar" press the key symbol on the desired **multipolar®** CONNECT, for which you wish to assign a compartment or change the compartment assignment.
- Select the compartment which is to be assigned to the user.
 - A second popup appears with the complete user list.
- Select one or several users. Save your selection.
 - Assigned compartments are shown in grey.
 - The number of assignments is displayed below the compartment number.

✎ = edit / rename **multipolar®** CONNECT

🔑 = compartment assignment / assignment of users



Manual opening of compartments

You can access the opening lever by loosening the 4 screws of the inspection compartment. The opening lever has a padlock to prevent unauthorised opening.

- Open the padlock and pull the lever.
 - All compartments open.

7.1 Cleaning, maintenance and care

Cleaning, care



NOTE

Incorrect cleaning can cause damage to the surface.

- ▶ A **mild washing up detergent diluted in hot water** is ideal. Wipe the surfaces with a **damp, non-scratch cloth**. After cleaning, **rub** the surfaces dry with a **soft cloth**.



User tip

- ▶ We recommend **Rieber cleaning agent for stainless steel** for cleaning stainless steel.

- It is an especially thorough yet gentle cleaner, produces a dazzling shine, and cleans and protects in one.

Order no.: 72 10 24 08

- ▶ In order to carry out thorough cleaning of the refrigerator interior, the frame with the doors can be disassembled and the compartment shelves /Gastronorm containers removed. Please contact the administrator.

Thorough cleaning

In order to carry out thorough cleaning of the refrigerator interior, the frame with the doors can be disassembled and the compartment shelves /Gastronorm containers removed.

- Open the inspection compartment by undoing the 4 screws.
- Unlock and pull the opening lever.

The fixing screws for the frame are found on the right and left side in the area of the inspection panel and the bottom compartment.

- Loosen the screws.
- Remove the frame together with the doors. Put them down carefully.
- Remove the shelves/ GN containers etc..
- Clean the parts.

Assembly occurs in the reverse order to that described above.

Maintenance



See chapter 2 "Refrigerator manufacturer's instructions".

7.2 Operating faults /service



User tip

Missing instructions at the place of installation of the refrigerator could result in human error.

- ▶ Provide instructions in the area of the refrigerator; for example, name and telephone number for dealing with faults etc.
- ▶ Preferably keep the operating instructions in the immediate vicinity of the refrigerator.



Danger of electric shock.

Before carrying out repairs on the appliance, disconnect it from the power. Do this by unplugging the electrical power plug. Have all electrical repairs carried out by an authorised electrician.

Any repairs during warranty period may only be carried out by the Rieber service department. Please contact the Rieber service department.

Only spare parts that have been approved and specified by the manufacturer may be used. Certain repairs may only be carried out by the Rieber service department.

Work on the cooling unit should only be carried out by authorised skilled personnel like a refrigeration specialist or a member of the Rieber Customer Service.

Fault	Possible cause	Rectification
The door with the refrigerated compartments cannot be opened.	Power failure. Refrigerator defective.	<ul style="list-style-type: none"> ▶ Open the door with the refrigerated compartments manually. To do this remove the upper panel on the refrigerator, disengage the lock with the key and then release the central latch with the hand lever. # Authorised operating personnel (administrator, caretaker) # Rieber Service or authorized partner

8 Warranty and liability

Manufacturer liability and warranty shall no longer apply if you

- do not follow the information and instructions in this user guide,
- do not use the device as it is intended,



See chapter "Intended use"

- make conversions or functional modifications,
- do not use original spare parts.

The "Sales and delivery terms and conditions" of Rieber GmbH & Co. KG shall apply for all warranty claims made against the manufacturer. For instance, any repairs and/or overhaul during the warranty period may only be performed by the manufacturer's service department of Rieber, failing which any claims hereof may be voided. Please contact the manufacturer's service department.

9 Excerpt from EC Declarations of Conformity

EC Declaration of Conformity according to EC Machinery Directive 2006/42/EC

Rieber GmbH & Co. KG hereby declares that the products

- **multipolar**[®] CONNECT 570 CN 10F

complies with the basic requirements of the EC Machinery Directive 2006/42/EC, Appendix II A, harmonised standards (DIN EN ISO 12100: Safety of Machinery — General principles for design — Risk assessment and risk minimisation).

EU Declaration of Conformity

in accordance with the European Directive on Electromagnetic Compatibility 2014/30/EU.

Rieber GmbH & Co. KG hereby declares that the products

- **multipolar**[®] CONNECT CN 10F

comply with the basic requirements of the European Directive 2014/30/EU.

The appliance complies with EC Regulation no. 1935/2004 dated 27/10/2004, relating to materials and articles intended to come into contact with foodstuffs.

If required, a copy of the EC Declaration of Conformity can be obtained from our sales team.

10 Manufacturer's address

Rieber GmbH & Co. KG
Hoffmannstraße 44
D 72770 Reutlingen
Phone +49 (0) 7121 518-0
FAX +49 (0) 7121 518-302
Email info@rieber.de
www.rieber.de

11 Terms and conditions of use of the Rieber CONNECT APP system

Rieber CONNECT APP system

General terms and conditions of use

Rieber GmbH & Co. KG, Hoffmannstraße 44, 72770 Reutlingen, Germany (hereafter referred to as "Rieber")

1. Scope

- 1.1 These general terms and conditions of use shall apply for the provision of the Rieber CONNECT Systems APP from Rieber to the customer (hereafter "APP"). The APP is a system for controlling various appliances.
- 1.2 This APP system and further documents relating to the **APP system service contract (APP system order form with Annex 1, Performance Specification)** shall apply exclusively. Differing, conflicting or supplementary general terms and conditions of business of the customer shall not become part of the contract, even if Rieber does not explicitly object to them in any given case or if the performances are supplied. The applicability of any general terms and conditions of business of the customer is herewith rejected, unless Rieber has explicitly agreed to their application in writing.

2. Conclusion of contract

- 2.1 The contract (hereafter also "**APP system service contract**" or "**service contract**") shall become effective when the customer places an order and Rieber subsequently accepts it. The order will normally be accepted by sending an order confirmation, but at the latest with provision of the APP system or a product which can be controlled by the APP or through a service which is provided through the APP and activation of this service.
- 2.2 The rights and obligations of the contractual parties are defined in the order form, the order confirmation (if applicable), the performance specification for the APP system with the current price list and the agreement for contract data processing, each in the version applicable at the time of contract conclusion.

3. Performances by Rieber

- 3.1 Rieber shall provide the customer with use of the APP described in more detail in the APP performance specification and suitable appliances as described in the respective operating instructions, as well as the CONNECT app for mobile devices (collectively also "**CONNECT products**") in the functional scope described in more detail therein and under the functional prerequisites specified therein. By using the APP, the customer will be able to independently control equipment during the term of the contract. Further details can be found in the individual operating instructions.
- 3.2 The prerequisite for provision of the service by Rieber is a functioning Internet connection including router and an intact Internet connection to the CONNECT appliance as per the performance specification and the relevant accessories (more details are provided in the respective operating instructions). Further details can be found in the performance specification for the APP system or the operating instructions. Rieber reserves the right to inspect the use of the equipment and use via the APP at the customer's premises at least once a year or to arrange for this inspection to be carried out by an authorised third party, in order to ensure optimum use of the APP system and the associated equipment. The customer is obliged to grant Rieber the necessary access to its buildings. The inspection shall occur after arranging a date with the customer beforehand.
- 3.3 Rieber shall undertake the maintenance of the APP application software and the updates as well as data backup. Rieber shall provide the necessary storage space on servers for storage of the collected data in a database (hereafter "**database**") and shall ensure constant and easy availability of the data in accordance with clause 8.

4. Provision of the APP application software

- 4.1 Rieber shall make the APP CONNECT Cockpit available for use at the exchange point agreed in the performance specification (transfer interface of the data centre to the Internet). The APP CONNECT Cockpit application software shall remain on the server in the data centre.
- 4.2 The customer will be able to download the app for mobile devices from the Apple App Store or Google Playstore free of charge.
- 4.3 Rieber shall not be responsible for establishing and maintaining the data connection between the customer's IT system or mobile device and the data centre.

5. Access to the APP system

- 5.1 Rieber shall provide the customer with an administrator's access authorisation (consisting of user password and start password) to the APP system. The customer's administrator can create further users himself. Access authorisations must be kept confidential and the customer may only share them with the users he creates. The customer is hereby advised that this may involve personal data and he must inform himself about the GDPR and train his personnel to this effect if necessary.
- 5.2 The customer himself shall make all settings in the APP CONNECT Cockpit necessary to personalise his APP system. In particular, the customer shall define users, change users and define the functions of the equipment.
- 5.3 Transfer of the APP system to a third party is not possible. The customer shall not be entitled to allow third parties to use the APP system. Employees or freelance personnel of the customer shall not be deemed third parties.

6. Transfer, storage and management of equipment data

- 6.1 Rieber shall make storage space and the APP application available to the customer on a server system.
- 6.2 The customer's data shall be made available on the server for accessing in the APP CONNECT Cockpit or the app via the Internet. Rieber's performance in relation to data transfer shall be strictly limited to data communication between Rieber's exchange point or a data communication network to the Internet operated by a third party authorised by Rieber, and the server provided for the customer. Rieber has no influence on the data traffic after the exchange point towards the Internet. Rieber therefore shall have no obligation in relation to successful data transmission from and to the customer's computer requesting the data.
- 6.3 Transmission of the data collected by the app to the server used by Rieber and retrieval of the data in the APP CONNECT Cockpit or the app shall be via encrypted connections.
- 6.4 Rieber shall ensure backup of the customer's data on each working day. The backup shall always comprise the entire content of the server and shall also include other customers' data. Therefore, the customer shall have no claim to the release of any backup media.
- 6.5 The location of the servers used shall be in Europe or the USA.
- 6.6 The collection of new data shall no longer be permitted after termination of the service contract. The customer may retrieve and print out his data stored in the database for a period of three months after the end of the contract. The access authorisations for the APP CONNECT Cockpit and app as well as the customer's data shall be deleted after expiry of this period. The customer shall then no longer be able to access the data.
- 6.7 Rieber shall delete the customer's remaining data 14 days after transfer of the copy of the data occurring in connection with the termination of the contract, but at the latest 14 days after expiry of the access authorisations for the user account, provided the customer does not inform Rieber within this period that the data transferred to him are incomplete or illegible. Rieber shall once again draw the customer's attention to the importance of his silence.
- 6.6 The customer shall be solely responsible for adherence to any statutory storage periods in respect of the stored data.

7. Data protection, processing of personal data

- 7.1 Insofar as the customer collects, processes and uses personal data (e.g. employee data) in connection with this contract, he shall be responsible for adherence to the legal data protection regulations. Rieber shall process the data collected and transmitted by the customer exclusively in connection with the **CONNECT System Data Protection Contract concluded between the parties**.
- 7.2. In order to further improve the APP system and other products of the Rieber Group for the customer, Rieber shall be entitled to process and use the data collected by the customer for statistical evaluations on the deployment and use of the APP system. The collection, processing and use of personal data shall take place exclusively in an anonymous form.

8. Availability

- 8.1 Rieber shall provide the services for this app system in accordance with clause 6 of the general terms and conditions of use with an overall availability of 90.5 % on a monthly average. The availability shall be calculated on the basis of the time relating to the respective calendar month, minus maintenance times. Rieber shall regularly perform maintenance work for the purpose of safety and interoperability of the APP system and in the interest of data protection. Taking account of the customer's interests, Rieber shall therefore be entitled to temporarily suspend or limit provision of the service if necessary. The maintenance work shall, where possible, be carried out in low-use periods and be notified to the customer beforehand in the framework of a maintenance plan. If longer periods of suspension or restriction are necessary, Rieber shall inform the customer beforehand of the type, extent and duration of the disruption, provided that this is objectively possible in the light of the circumstances and such notification would not delay the elimination of interruptions that have already occurred. During the maintenance work the customer can neither collect new data nor access his own previously collected and stored data.
- 8.2 The availability as defined in clause 8.1 above shall not take account of such restrictions or disruptions that are outside Rieber's control. These shall include, in particular, actions of third parties who are not agents of Rieber, technical conditions of the Internet which cannot be influenced by Rieber, the hardware and other software or technical infrastructure used by the customer (e.g. Internet connection) and force majeure. Such restrictions or reductions of availability or functionality shall not affect the contractual compliance of the service provided by Rieber.
- 8.3 The customer may access the APP and the APP CONNECT Cockpit from several workstations simultaneously. The workstations must fulfil the technical minimum prerequisites specified in the performance

specification. The customer shall ensure appropriate technical connection of the workstations.

9. Fees, changes to fees

- 9.1 The customer must pay a fee for the services provided by Rieber for this APP application in accordance with clause 6. The amount of the fee can be found in the individual offer.
- 9.2 All fees specified are net prices and exclude the respective VAT applicable at the time.
- 9.3 Rieber shall be entitled to change the fees on which its services are based at its discretion (§ 315 para. 3 BGB (German Civil Code)). Rieber shall inform the customer in writing of any changes to the fees no later than six weeks before the change enters into force. If the increase is more than 5%, the customer shall be entitled to an extraordinary right of termination.
- 9.4 Further running costs for the customer shall include the costs of the Internet connection and Internet usage between him and his respective supplier.

10. Invoicing and terms of payment

- 10.1 Rieber shall calculate the outstanding fees monthly on the last day of the month, and invoice the customer for them. The invoice shall be emailed to the customer as a PDF, to the email address specified on the order form. Other settlement periods must be individually agreed (e.g. annual advance payment).
- 10.2 Unless agreed otherwise, the invoices shall be payable within 30 days of invoice receipt (without any deduction). If payment is made by SEPA Direct Debit, Rieber shall send the SEPA Pre-Notification to the customer's email as specified by the customer on the order form or order confirmation no later than 5 calendar days before the direct debit due date.
- 10.3 In the event of default, interest shall be charged on the balance due in the amount of 8% above the respective base rate. The payment date shall be considered as the date of receipt of payment by Rieber.
- 10.4 The customer shall only have a right of retention or right of set-off in respect of such counter-claims that are undisputed or have been finally determined by a court of law and are based on the same contractual relationship.

11. Term of contract

- 11.1 the service contract shall have a fixed term as defined in the individual offer, counting from the time of acceptance of the order by Rieber.
- 11.2 The first 30 days of the fixed term shall be regarded as a so-called "test phase" (hereafter "**test phase**"). During this test phase, the customer may terminate the contract without stating reasons and without observing a period of notice. Fees incurred until the effective termination shall be calculated to one-day accuracy and invoiced as defined in clause 10. Receipt of the notice of termination by Rieber shall be deemed decisive for compliance with this deadline.
- 11.3 After expiry of the fixed term the service contract shall be extended by a further 12 months respectively, unless it is terminated with 3 months' notice effective from the end of the extension period. The right to termination for important reason shall remain unaffected.
- 11.4 Any termination notice must be made in writing (letter, fax, email).

12. °CHECK Service Hotline

- 12.1 Rieber shall make a service hotline available to the customer to provide support with technical issues in relation to the APP system: Telephone: +49 (0) 7121 / 518-544; Email: check-support@rieber.de; telephone acceptance, processing of inquiries and fault notifications shall be in accordance with the basic component selected in the purchase order.
- 12.2 The hotline serves only to support the customer in all matters connected to the use of Rieber services, which the customer himself can influence through setting up and using the application software provided by Rieber and any accessories of the APP system (not the appliances, only the software). As far as Rieber provides technical support and services in addition to this, the customer can be invoiced for these separately.
- 12.3 Customer inquiries to the hotline shall be processed and answered in the order in which they are received. If an inquiry is received at a time outside the selected basic component, the next time within the basic component shall be considered the time of receipt.

13. Rights of the database provider

As far as the customer is the database provider pursuant to § 87a UrhG (German Copyright Act), the customer shall grant Rieber the right to duplicate the data which it stores for its customers for the purposes of data backup. Rieber shall also be entitled to hold the data in another Rieber data centre within Germany for the purposes of data backup.

14. Liability for defects

- 14.1 Rieber cannot assume liability for the up-to-dateness and accuracy of temperatures, times, dishes, lockers, appliances etc. stored in the APP application software.
- 14.2 Technical data, specifications and performance details for the APP system in public statements, particularly in advertising media, shall not be

deemed to constitute information on qualities. The functionality of the APP system shall be based solely on the agreements made in this regard.

- 14.3 If the services provided by Rieber are defective because they cannot be used for the intended contractual purpose, Rieber shall be liable in accordance with the statutory provisions for defects of quality and title. For defects in the APP application software which were already present at the time when the software was provided to the customer, Rieber shall only be liable if it is responsible for such defects.
- 14.4 Any claims for defects shall become time-barred in 12 months, unless the defect was concealed intentionally. Defects must be notified to Rieber in writing within one week of their discovery. Any delay in reporting defects shall impede the assertion of claims for defects. The customer shall assist Rieber in finding and eliminating defects and, as far as necessary, allow inspection of data and documents indicating the exact circumstances leading to the occurrence of the defect.

15. Standard of liability

- 15.1 Regardless of the legal grounds, Rieber shall only be liable
 - a) for culpable injury to life, body and health,
 - b) for intentional or grossly negligent breach of duty by Rieber itself, its legal representatives or agents,
 - c) for culpable breach of essential contractual obligations,
 - d) for defects, which Rieber has intentionally concealed or whose absence Rieber has guaranteed.Rieber shall not be liable for further damages. Mandatory legal liability regulations, particularly under the Product Liability Act, shall remain unaffected.
- 15.2 Essential contractual obligations are obligations whose fulfillment gives the contract its character and on which the customer may rely.
- 15.3 In the case of culpable breach of essential obligations, the amount of liability shall, however, be limited to the damages typical for this type of contract and reasonably foreseeable at the time of concluding the contract.

16. Other

- 16.1 Rieber shall be entitled to adapt the hardware and software used to the actual state of the art and furthermore to change the services and conditions of the service contract for the purpose of expanding and further developing the APP system, provided this takes account of the customer's interests and is reasonable for the customer.
- 16.2 The assignment of claims by the customer against Rieber shall only be permitted with the express written consent of Rieber. The same shall apply for legal claims of the customer in connection with this contractual relationship.
- 16.4 Should any provision of this APP system be or become wholly or partially ineffective or prove to have an unforeseen loophole, this shall not affect the validity of the remaining provisions. The legal regulations shall take the place of the ineffective or absent provisions.
- 16.5 The law of the Federal Republic of Germany shall apply. The exclusive legal venue for any disputes arising from or in connection with this service contract shall be Reutlingen, Germany.

Date: December 2019
Rieber GmbH & Co. KG
Hoffmannstraße 44
72770 Reutlingen, Germany

Registered office Reutlingen, Stuttgart District Court HRA

350581

Personally liable partner Rieber Management GmbH

Registered office Reutlingen, Stuttgart District Court HRB

354465

Managing Director: Ulrich Fuchs, Max Maier

